



## MFI0800/0805 - Flake Ice Maker



MFI0800 on B55

### Features

- Only 21" (533 mm) wide.
- Produces up to 859 lbs (390 kg) of ice per day.
- *SystemSafe* load monitoring system constantly checks workload on gearbox — shutting down system before a problem develops and preventing costly repairs.
- Water sensor eliminates low or no water failures and cannot be affected by adverse water conditions.
- Rugged stainless steel evaporator and auger ensures reliability.
- Industrial-grade roller bearings and heavy duty gearbox provide years of trouble free service.

### Options & Accessories

Ice Machine Model	Water Filters		
	Manifold		Inline
	System	Replacement	System
MFI0800	IFQ1	IOMQ (1)	IFI4C / IFI8C

### Ice Maker Warranty

Every Ice-O-Matic ice maker is backed by a warranty that provides both parts and labor coverage.

#### Parts & Labor

- Three years **Parts** and **Labor**.
- Five years **Parts** coverage on the compressor.

### Ice Form



### Bin Chart

*Kits for Combining Wider Bins with Smaller Models*

Kits	Ice Storage Bins								
	Model No.	B25	B40	B42	B55	B100	B120	B150	B170
	Capacity Width	255 lbs (116 kg) 30 in (762 mm)	365 lbs (165 kg) 30 in (762 mm)	374 lbs (170 kg) 22 in (559 mm)	556 lbs (252 kg) 30 in (762 mm)	927 lbs (420 kg) 48 in (1219 mm)	1193 lbs (541 kg) 48 in (1219 mm)	1499 lbs (679 kg) 60 in (1524 mm)	1866 lbs (846 kg) 60 in (1524 mm)
MFI0800	KBT19	KBT19	KBT24	KBT19	KBT23	KBT23	N/A	N/A	
MFI0800 (2)	N/A	N/A	N/A	N/A	KBT22	KBT22	N/A	N/A	

*\*See Ice-O-Matic Price List for Adapter Kits to combine ice makers with most available ice/beverage dispensers.*



11100 E. 45th Avenue  
Denver, CO 80239

Phone: 1. 866. PURE. ICE  
Fax: 303. 371.6296  
www.iceomatic.com

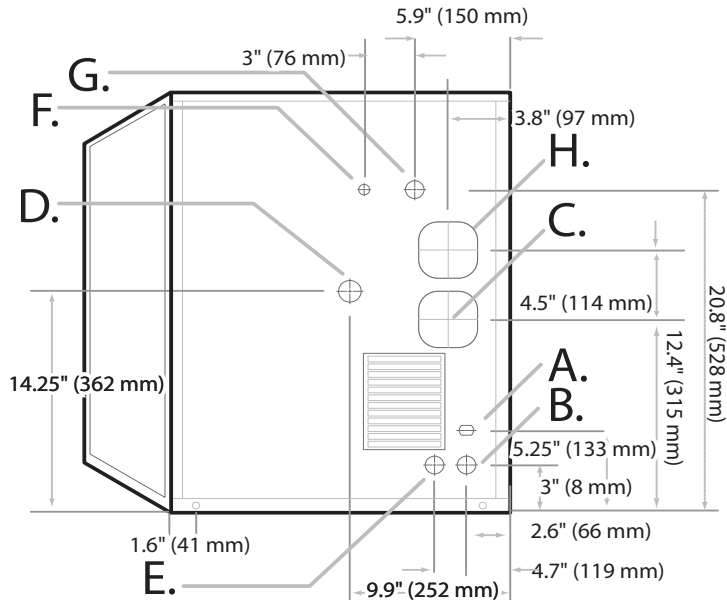
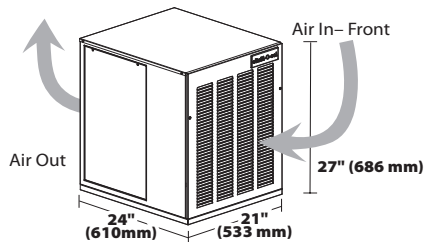
Rev: 02/10  
Part: 7011

MFI0800/0805 Flake Ice Maker

## Air Cooled

Please note: air-cooled units require 6" (152 mm) clearance for air intake and exhaust. Please note: air-cooled units require 6" (152 mm) clearance for air intake and exhaust.

- A. Ice maker potable water in, 3/8" Male Flare.
- B. Drain, 3/4" FPT.
- C. Hole for electrical connection.
- D. Condenser inlet (water cooled only) 3/8" FPT.
- E. Condenser drain (water cooled only) 1/2" FPT.
- F. Liquid line, 3/8" male coupling for precharged line set (remote only).
- G. Discharge line, 1/2" male coupling for precharged line set (remote only).
- H. Remote condenser junction box (remote only).



Air/Water Cooled  
& Remote

## Operating Requirements

	Minimum	Maximum	
		60 Hz	50Hz
Ambient Temp. Range Air	50°F (10°C)	100°F (38°C)	110°F (43°C)
Water Temp.	40°F (4.4°C)	100°F (38°C)	90°F (32°C)
Water Pressure	20 PSIG (1.4 BAR)	120 PSIG (8.3 BAR)	

## Dimensions

All Models	
W x D x H (inches)	21 x 24 x 27
W x D x H (mm)	533 x 610 x 686

## Specifications

Model Number	Cond. Unit	Ice Production per 24hrs		Water Usage per 100lbs (45kg) of ice 90°F/32°C air 70°F/ 21°C water		kWH Used per 100 lbs (45 kg) of ice @ 90°F/ 32°C air 70°F/21°C water	Voltage	Min. Circuit Amps	Fuse Size	Approx. BTUs per hour
		70°F/21°C air 50°F/10°C water lbs (kg)	90°F/32°C air 70°F/21°C water lbs (kg)	Potable gal (l)	Condenser gal (l)					
MFI0800A	Air	768 (348)	579 (263)	12.0 (45.4)	-	4.8	115/60/1	21.0	30	7,400
MFI0800W	Water	859 (390)	690 (313)	12.0 (45.4)	86.5 (327.3)	4.9	115/60/1	19.5	30	4,400
MFI800R	Remote*	819 (371)	675 (306)	12.0 (45.4)	-	4.3	115/60/1	23.5	30	5,600
MFI0805A	Air	756 (343)	571 (259)	12.0 (45.4)	-	4.2	230/50/1	10.1	15	7,400
MFI0805W	Water	737 (334)	604 (274)	12.0 (45.4)	88.7 (335.7)	3.6	230/50/1	9.5	15	??

\*Requires GRC1001 Remote Condenser

### NOTES:

Number of Wires: 3 (including ground)  
 Approx. Shipping Weight lbs (kg): MFI0800A 205 (93) • MFI0800W 200 (91 kg) • MFI0800R 220 (100 kg) • MFI0805A 205 (93) • MFI0805W 200 (91kg)  
 Refrigerant Type: R404A

11100 E. 45th Avenue  
Denver, CO 80239

Phone: 1. 866. PURE. ICE  
Fax: 303. 371.6296  
www.iceomatic.com

Rev: 02/10  
Part: 7011

# Ice-O-Matic®

## GRC Remote Condensers



### Features

- Designed for use with remote-cooled GEM and Flake ice machines that produce from 591 lbs (269 kg) to 2376 lbs (1079 kg) of ice per day.
- Environmentally responsible - All GRC model condensers use R404A, an approved non-ozone depleting refrigerant.
- Constructed from sturdy, corrosion-resistant galvanized steel. Reduces air conditioning requirements and cost
- Fan is located away from the Ice maker ensuring quiet operation for customers

### Options & Accessories

Model Number	Description	Shipping Weight lbs (kg)
RT-325-404	25 ft (7.6 m) Precharged Tubing Kit for R404A models	13 (6)
RT-340-404	40 ft (12.0 m) Precharged Tubing Kit for R404A models	18 (8)
RT-345-404	60 ft (18.2 m) Precharged Tubing Kit for R404A models	19 (9)
RT-360-404	75 ft (22.9 m) Precharged Tubing Kit for R404A models	26 (12)
RT-375-404	75 ft (22.9 m) Precharged Tubing Kit for R404A models	35 (16)

(Note: Specify length when ordering)

### Specifications

Model Number	Description	Voltage Characteristics	Dimensions W x D x H	Shipping Weight lbs (kg)
GRC-1001	Remote Condenser for one model GEM0650	115/60/1	Inches: 45 x 22½ x 29½ mm: 1143 x 562 x 749	122 (55)
GRC-1061	Remote Condenser for one model GEM0956	208-230/50-60/1	Inches: 45 x 22½ x 29½ mm: 1143 x 562 x 749	124 (56)
GRC-2061	Remote Condenser for one model GEM1256	208-230/50-60/1	Inches: 45 x 22½ x 29½ mm: 1143 x 562 x 749	124 (56)



11100 E. 45th Avenue  
Denver, CO 80239

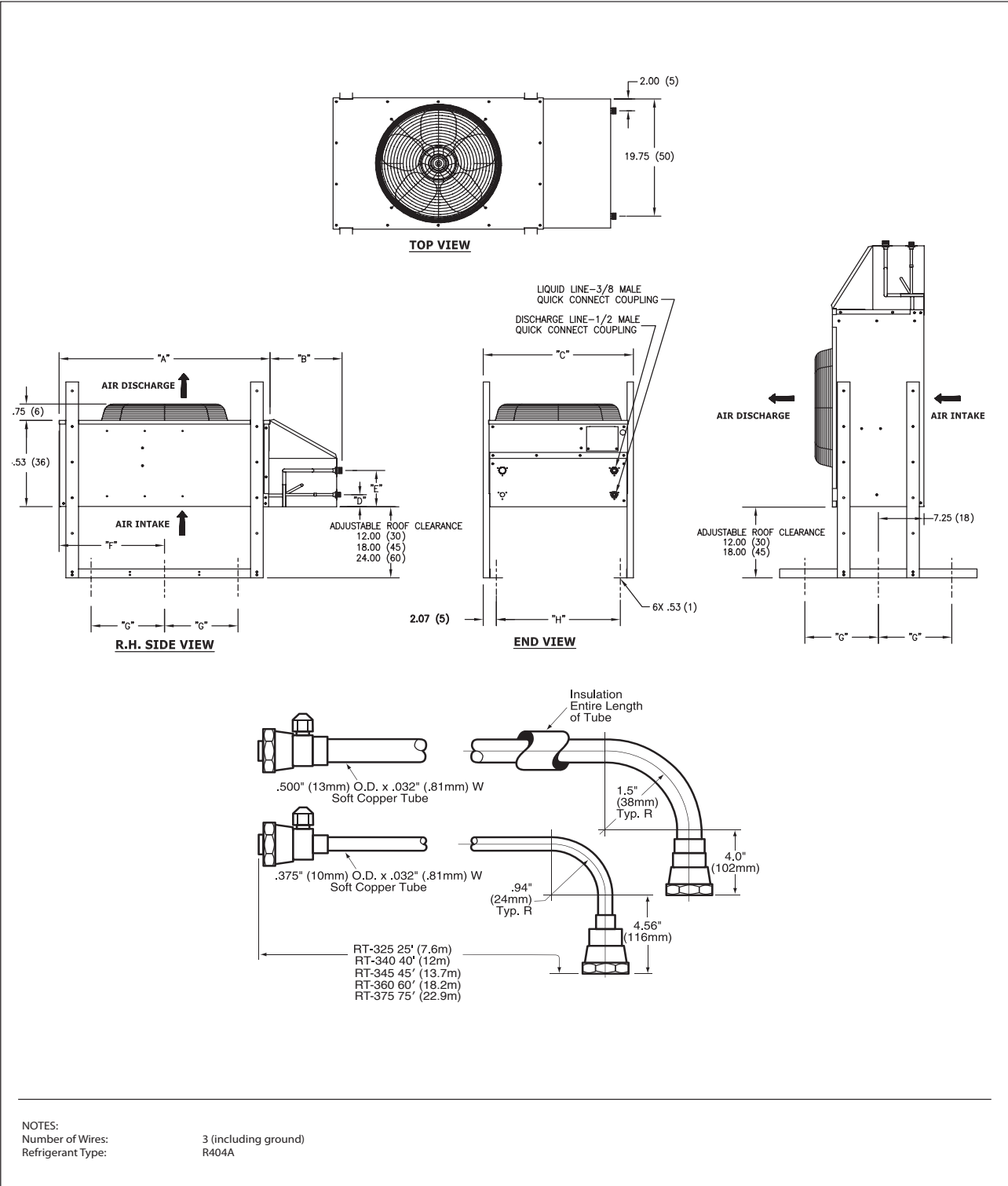
Phone: 1. 866. PURE. ICE  
Fax: 303. 371. 6296  
www.iceomatic.com

Rev: A-02/09  
Part: 1024

GRC Remote Condensers

# Ice-O-Matic

## GRC Remote Condensers



11100 E. 45th Avenue  
Denver, CO 80239

Phone: 1. 866. PURE. ICE  
Fax: 303. 371. 6296  
www.iceomatic.com

Rev: A-02/09  
Part: 1024