

Ice-O-Matic®

ICEU300/305 - Self Contained Cube Ice Maker



ICEU300

Features

- Space saving 30" (762 mm) wide undercounter design.
- Produces up to 356 lbs (162 kg) of ice per day.
- *Harvest Assist* provides consistent ice production for the life of the ice maker while reducing energy consumption and increasing capacity.
- *Pure Ice*® exclusively by Ice-O-Matic. Built-in antimicrobial protection for the life of the ice maker inhibits bacteria growth on ice maker surfaces. Ice-O-Matic's optional water filtration system provides protection against unpleasant tastes, odors and scale formation.
- Durable, electroless nickel plating on all evaporator plates ensures reliability.
- *Longest warranty in the industry.* Purchase an Ice-O-Matic water filter with your cube ice maker, replace the filter every six months, and the evaporator warranty is extended to 7 years parts and labor (*available in the U.S. and Canada only*).
- Constructed from corrosion-resistant stainless steel and fingerprint-proof plastic.

Options & Accessories

| Ice Machine Model | Water Filters | | |
|-------------------|---------------|-------------|---------------|
| | Manifold | | Inline |
| | System | Replacement | System |
| ICEU300 | IFQ1 | IOMQ (1) | IF14C / IF18C |
| ICEU305 | IFQ1 | IOMQ (1) | IF14C / IF18C |

Ice Maker Warranty

Every Ice-O-Matic ice maker is backed by a warranty that provides both parts and labor coverage.

- Three years **Parts and Labor**.
- Five years **Parts** coverage on the evaporator and compressor.
- Seven years **Parts and Labor** on the evaporator when you purchase an Ice-O-Matic water filter with your cube ice maker and replace the filter every six months (*available in the U.S. and Canada only*).

Ice Form



| Full Cube | |
|----------------|-----------------|
| W x D x H (in) | 7/8 x 7/8 x 7/8 |
| W x D x H (mm) | 22 x 22 x 22 |
| Half Cube | |
| W x D x H (in) | 7/8 x 7/8 x 3/8 |
| W x D x H (mm) | 22 x 22 x 10 |

Space-Saving Solutions

- Front air discharge design for compact spaces.
- Low profile top saves counter space.
- Stores up to 130 lbs (59 kg) of ice.
- Easy front access to ice.
- Available with an air-cooled or water-cooled condenser.



11100 E. 45th Avenue
Denver, CO 80239

Phone: 1. 866. PURE. ICE
Fax: 303. 371. 6296
www.iceomatic.com

Rev: A-02/09
Part: 1022

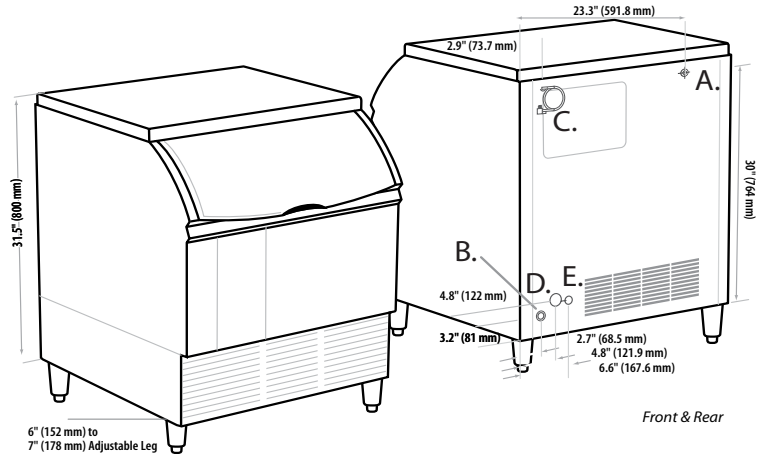
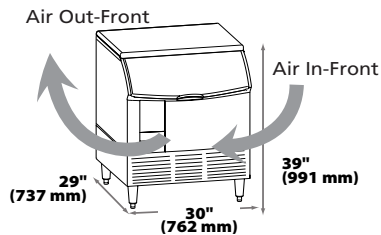
ICEU300/305 Self Contained Cube Ice Maker

Ice-O-Matic®

ICEU300/305 Self Contained Cube Ice Maker

Air and Water Cooled

- A. Ice maker water in $\frac{3}{8}$ " FPT.
- B. Bin and ice maker drain, $\frac{3}{4}$ " FPT.
- C. Cord on HSV, hole on all others for electrical connections, $\frac{7}{8}$ ".
- D. Condenser water in, $\frac{3}{8}$ " FPT (*water cooled units only*).
- E. Condenser water out, $\frac{1}{2}$ " FPT (*water cooled units only*).



Operating Requirements

| | Minimum | Maximum | |
|-------------------------|-------------------|-------------------|--------------|
| | | 60 Hz | 50Hz |
| Ambient Temp. Range Air | 50°F (10°C) | 100°F (38°C) | 110°F (43°C) |
| Water Temp. | 40°F (4.4°C) | 100°F (38°C) | 110°F (43°C) |
| Water Pressure | 20 PSIG (1.4 BAR) | 60 PSIG (4.1 BAR) | |

Dimensions

| All Models | |
|--------------------|-----------------|
| W x D x H (inches) | 30 x 29 x 39 |
| W x D x H (mm) | 762 x 737 x 991 |

Specifications

| Model Number | Cond. Unit | Ice Production per 24hrs | | Water Usage gallons per 100 lbs of Ice 90°F air/70°F water | | kWH Used per 100 lbs of ice @ 90°F air/70°F water | Voltage Characteristics | Min. Circuit Ampacity | Fuse Size | Approx. BTUs per hour |
|--------------|------------|------------------------------|------------------------------|--|-----------|---|-------------------------|-----------------------|-----------|-----------------------|
| | | 70°F air/50°F water lbs (kg) | 90°F air/70°F water lbs (kg) | Potable | Condenser | | | | | |
| ICEU300A★ | Air | 309 (140) | 228 (104) | 32.9 | - | 8.6 | 115/60/1 | 13.1 | 15 | 5,928 |
| ICEU300W | Water | 356 (162) | 296 (135) | 35.6 | 175 | 5.7 | 115/60/1 | 11.1 | 15 | 6,097 |
| ICEU305A | Air | 299 (136) | 223 (101) | 30.8 | - | 7.7 | 230/50/1 | 6.6 | 16 | 5,392 |
| ICEU305W | Water | 314 (143) | 267 (121) | 33.9 | 145 | 5.4 | 230/50/1 | 8.3 | 16 | 5,353 |

NOTES:

Number of Wires: 3 (including ground)
 Approx. Shipping Weight lbs (kg): ICEU300A 206 (94) • ICEU300W 203 (92) • ICEU305A 206 (94) • ICEU305W 203 (92)
 Refrigerant Type: R404A

★ ENERGY STAR qualified machine.

Please see our website www.iceomatic.com for the latest list of ENERGY STAR qualified machines and available rebates

11100 E. 45th Avenue
Denver, CO 80239

Phone: 1.866.PURE.ICE
Fax: 303.371.6296
www.iceomatic.com

Rev: A-02/09
Part: 1022