

# Ice-O-Matic®

Ice. Pure and Simple™

## GEM0956/0955 - Pearl Ice® Maker



GEM0956 on IOD250

### Features

- Space saving 21" (533 mm) wide design.
- Produces up to 1,053 lbs (478 kg) of ice per day.
- Pearl Ice® soft, chewable ice crystals.
- Cools beverages faster and longer while maintaining flavors better.
- Decreased water and power usage compared to cube ice makers.
- SystemSafe load monitoring system constantly checks workload on gearbox shutting down system before a problem develops preventing costly repairs.
- Water Sensor eliminates low or no water failures and cannot be affected by adverse water conditions. Rugged stainless steel evaporator and auger ensures reliability.
- Rugged stainless steel evaporator and auger ensures reliability.
- Industrial-grade roller bearings and heavy duty gearbox provide years of trouble free service.

### Options & Accessories

| Ice Machine Model | Water Filters |             |        |
|-------------------|---------------|-------------|--------|
|                   | Manifold      |             | Inline |
|                   | System        | Replacement | System |
| GEM0956           | IFQ1          | IOMQ (1)    | N/A    |
| GEM0955           | IFQ1          | IOMQ (1)    | N/A    |

### Ice Maker Warranty

Every Ice-O-Matic ice maker is backed by a warranty that provides both parts and labor coverage.

#### Parts & Labor

- Three years **Parts & Labor** for all Pearl Ice® ice maker parts.
- Five years **Parts** coverage on the compressor.

### Ice Form



### Bin Chart

Kits for Combining Wider Bins with Smaller Models

| Kits        | Ice Storage Bins               |   |   |   |   |   |  |  |  |
|-------------|--------------------------------|---|---|---|---|---|--|--|--|
|             | Model No.<br>Capacity<br>Width | B25<br>255 lbs (116 kg)<br>30 in (762 mm) | B40<br>365 lbs (165 kg)<br>30 in (762 mm) | B42<br>374 lbs (170 kg)<br>22 in (559 mm) | B55<br>556 lbs (252 kg)<br>30 in (762 mm) | B100<br>927 lbs (420 kg)<br>48 in (1219 mm) | B120<br>1193 lbs (541 kg)<br>48 in (1219 mm) | B150<br>1499 lbs (679 kg)<br>60 in (1524 mm) | B170<br>1866 lbs (846 kg)<br>60 in (1524 mm) |
|             | GEM0956                        | KBT19                                     | KBT19                                     | KBT24                                     | KBT19                                     | KBT23                                       | KBT23  | N/A  | N/A  |
| GEM0956 (2) | N/A                            | N/A                                       | N/A                                       | N/A                                       | KBT22                                     | KBT22                                       | N/A  | N/A  |  |
| GEM0955     | KBT19                          | KBT19                                     | KBT24                                     | KBT19                                     | KBT23                                     | KBT23                                       | N/A  | N/A  |  |
| GEM0955 (2) | N/A                            | N/A                                       | N/A                                       | N/A                                       | KBT22                                     | KBT22                                       | N/A  | N/A  |  |

\*See Ice-O-Matic Price List for Adapter Kits to combine ice makers with most available ice/beverage dispensers.



11100 E. 45th Avenue  
Denver, CO 80239

Phone: 1. 866. PURE. ICE  
Fax: 303. 371.6296  
www.iceomatic.com

Rev: 02/10  
Part: 7002

GEM0956/0955 Pearl Ice® Maker

# Ice-O-Matic®

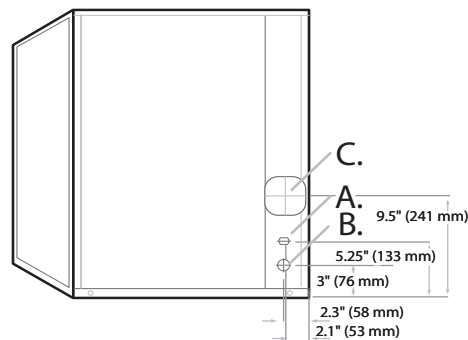
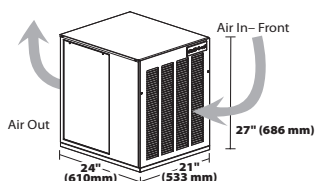
Ice. Pure and Simple®

GEM0956/0955 PearlIce® Maker

## Air Cooled

Please note: air-cooled units require 6. (152 mm) clearance for air intake and exhaust.

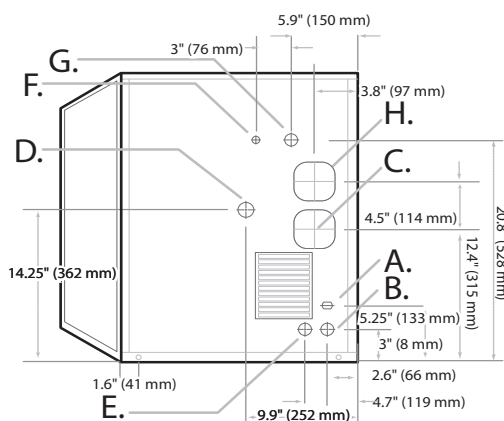
- A. Ice maker potable water in, 3/8" flare.
- B. Ice maker water out, 3/4" FPT.
- C. Electrical inlet.



Rear View Air Cooled

## Water Cooled/Remote

- A. Ice maker water in, 3/8" flare.
- B. Ice maker water out, 3/4" FPT.
- C. Electrical inlet.
- D. Condenser water in, 3/8" (water cooled only).
- E. Condenser water out, 1/2" (water cooled only).
- F. Liquid line, 3/8" male coupling for precharged line set (remote only).
- G. Discharge line, 1/2" male coupling for precharged line set (remote only).
- H. Remote condenser junction box (remote only).



Rear View Water Cooled & Remote

## Operating Requirements

|                         | Minimum           | Maximum            |
|-------------------------|-------------------|--------------------|
| Ambient Temp. Range Air | 50°F (10°C)       | 100°F (38°C)       |
| Water Temp.             | 40°F (4.4°C)      | 100°F (38°C)       |
| Water Pressure          | 20 PSIG (1.4 BAR) | 120 PSIG (8.3 BAR) |
| Remote Cond. Temps      | -20°F (-29°C)     | 120°F (50°C)       |

## Dimensions

| All Models         |                 |
|--------------------|-----------------|
| W x D x H (inches) | 21 x 24 x 27    |
| W x D x H (mm)     | 533 x 610 x 686 |

## Specifications

| Model Number | Cond. Unit | Ice Production per 24hrs               |  | Water Usage per 100lbs (45kg) of ice @ 90°F/32°C air 70°F/21°C water |                   | kWH Used per 100 lbs (45 kg) of ice @ 90°F/ 32°C air 70°F/21°C water | Voltage      | Min. Circuit Amps | Fuse Size | Approx. BTUs per hour |
|--------------|------------|--|--|--|-------------------|--|--------------|-------------------|-----------|-----------------------|
|              |            | 70°F/21°C air 50°F/10°C water lbs (kg) | 90°F/32°C air 70°F/21°C water lbs (kg) | Potable gal (l)  | Condenser gal (l) |  |              |                   |           |                       |
| GEM0956A     | Air        | 1,053 (478)                            | 753 (342)                              | 12.0   | -                 | 4.06   | 208-230/60/1 | 11.8              | 15        | 5,600                 |
| GEM0956W     | Water      | 1,053 (478)                            | 877 (398)                              | 12.0   | 84.3 (319.0)      | 3.12   | 208-230/60/1 | 11.2              | 15        | 5,600                 |
| GEM0956R     | Remote*    | 1011 (459)                             | 833 (378)                              | 12.0   | -                 | 4.20   | 208-230/60/1 | 15.3              | 20        | 5,600                 |
| GEM0955A     | Air        | 1,053 (478)                            | 770 (349)                              | 12.0   | -                 | 4.54   | 230/50/1     | 13.4              | 20        | 4,400                 |
| GEM0955W     | Water      | 1128 (512)                             | 927 (420)                              | 12.0   | 87.5 (331.1)      | 3.27   | 230/50/1     | 13.1              | 15        | 4,400                 |

\*Requires Remote GRC1061 Condenser

### NOTES:

Number of Wires: 3 (including ground)  
 Approx. Shipping Weight lbs (kg): GEM0955A 220 (110) • GEM0955W 220 (100) • GEM0956A 290 (132) • GEM0956W 290 (132) • GEM0956R 290 (132)  
 Refrigerant Type: R404A

11100 E. 45th Avenue  
Denver, CO 80239

Phone: 1. 866. PURE. ICE  
Fax: 303. 371.6296  
www.iceomatic.com

Rev: A-02/10  
Part: 7002

# Ice-O-Matic®

## GRC Remote Condensers



### Features

- Designed for use with remote-cooled GEM and Flake ice machines that produce from 591 lbs (269 kg) to 2376 lbs (1079 kg) of ice per day.
- Environmentally responsible - All GRC model condensers use R404A, an approved non-ozone depleting refrigerant.
- Constructed from sturdy, corrosion-resistant galvanized steel. Reduces air conditioning requirements and cost
- Fan is located away from the Ice maker ensuring quiet operation for customers

### Options & Accessories

| Model Number | Description   | Shipping Weight lbs (kg) |
|--------------|---|--------------------------|
| RT-325-404   | 25 ft (7.6 m) Precharged Tubing Kit for R404A models  | 13 (6)                   |
| RT-340-404   | 40 ft (12.0 m) Precharged Tubing Kit for R404A models | 18 (8)                   |
| RT-345-404   | 60 ft (18.2 m) Precharged Tubing Kit for R404A models | 19 (9)                   |
| RT-360-404   | 75 ft (22.9 m) Precharged Tubing Kit for R404A models | 26 (12)                  |
| RT-375-404   | 75 ft (22.9 m) Precharged Tubing Kit for R404A models | 35 (16)                  |

(Note: Specify length when ordering)

### Specifications

| Model Number | Description                            | Voltage Characteristics | Dimensions W x D x H                           | Shipping Weight lbs (kg) |
|--------------|--|-------------------------|--|--------------------------|
| GRC-1001     | Remote Condenser for one model GEM0650 | 115/60/1                | Inches: 45 x 22½ x 29½<br>mm: 1143 x 562 x 749 | 122 (55)                 |
| GRC-1061     | Remote Condenser for one model GEM0956 | 208-230/50-60/1         | Inches: 45 x 22½ x 29½<br>mm: 1143 x 562 x 749 | 124 (56)                 |
| GRC-2061     | Remote Condenser for one model GEM1256 | 208-230/50-60/1         | Inches: 45 x 22½ x 29½<br>mm: 1143 x 562 x 749 | 124 (56)                 |



11100 E. 45th Avenue  
Denver, CO 80239

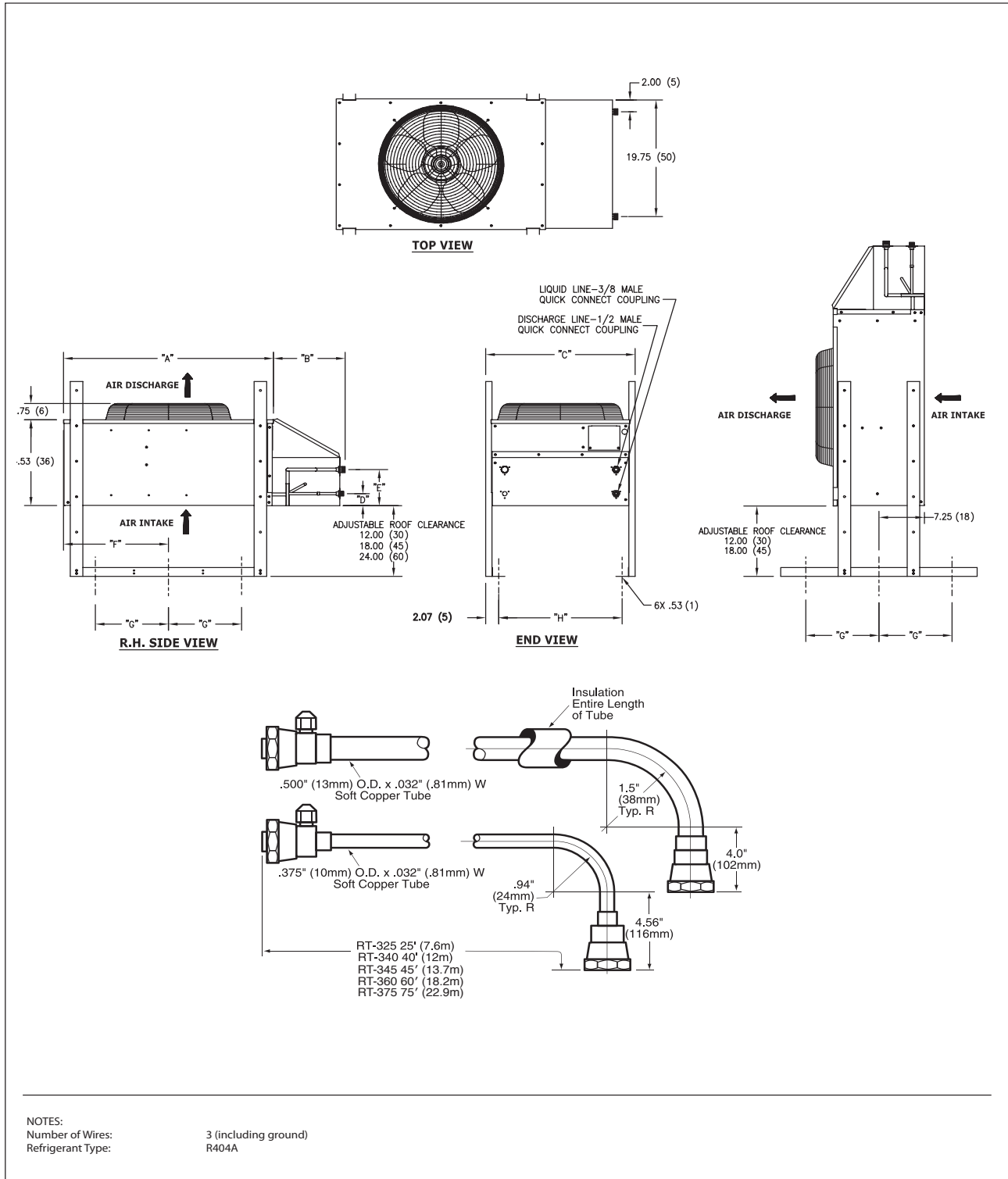
Phone: 1. 866. PURE. ICE  
Fax: 303. 371. 6296  
www.iceomatic.com

Rev: A-02/09  
Part: 1024

GRC Remote Condensers

# Ice-O-Matic

## GRC Remote Condensers



11100 E. 45th Avenue  
Denver, CO 80239

Phone: 1. 866. PURE. ICE  
Fax: 303. 371. 6296  
www.iceomatic.com

Rev: A-02/09  
Part: 1024